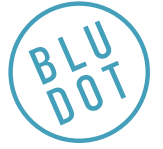


Lock Lounge Chair



DESIGNED IN 2016

ASSEMBLY NOTES | REV 01



NEED A HAND?

Contact us at service@bludot.com or **844.425.8368** for assistance.

@BLUDOT

We design all our pieces in our Minneapolis studio. Follow along on Instagram for some sneak peeks into the process.

Parts & Hardware



QTY

8

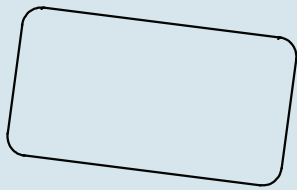
Pt. 1081



QTY

1

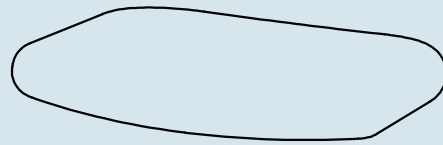
Pt. 9016



QTY

1

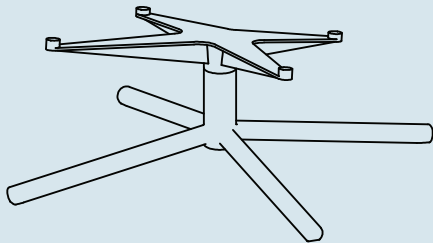
Lumbar pillow



QTY

1

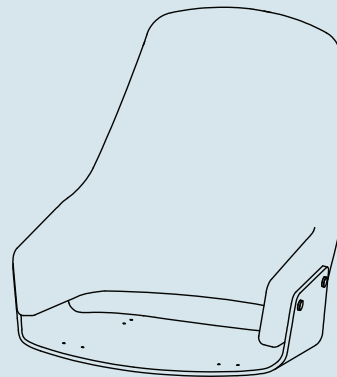
Seat cushion



QTY

1

Base



QTY

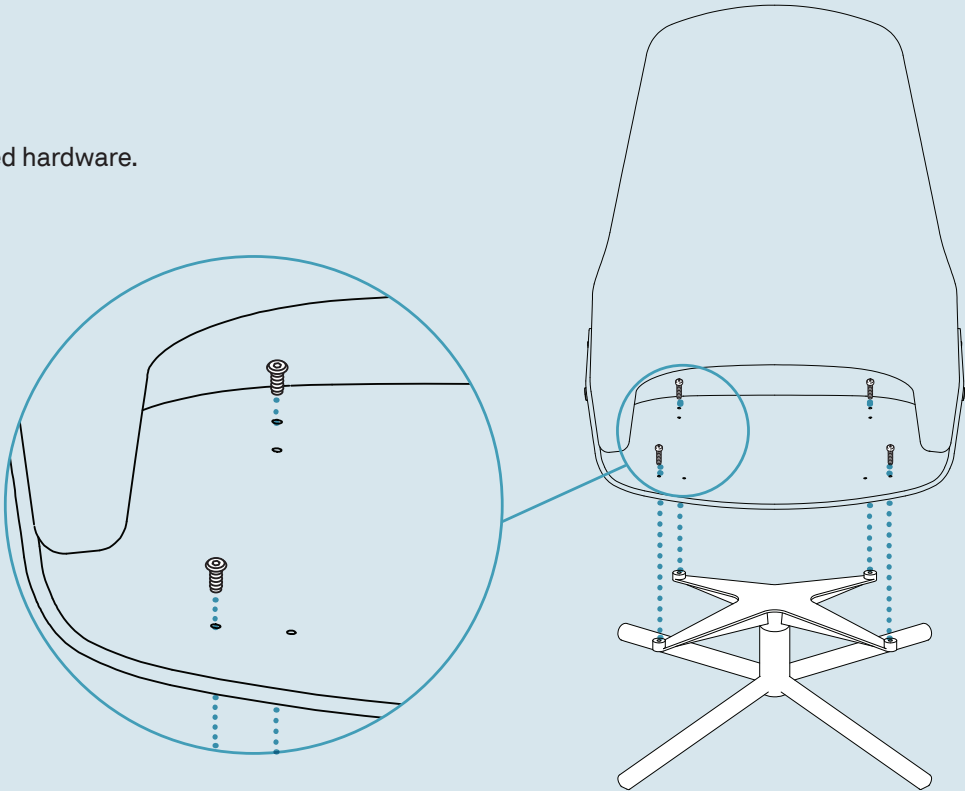
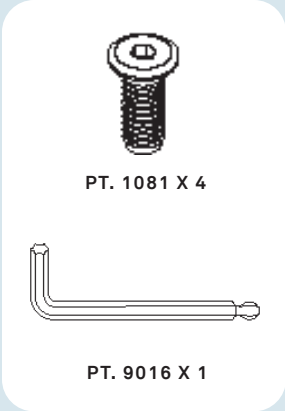
1

Shell

Step 01

ATTACH THE BASE.

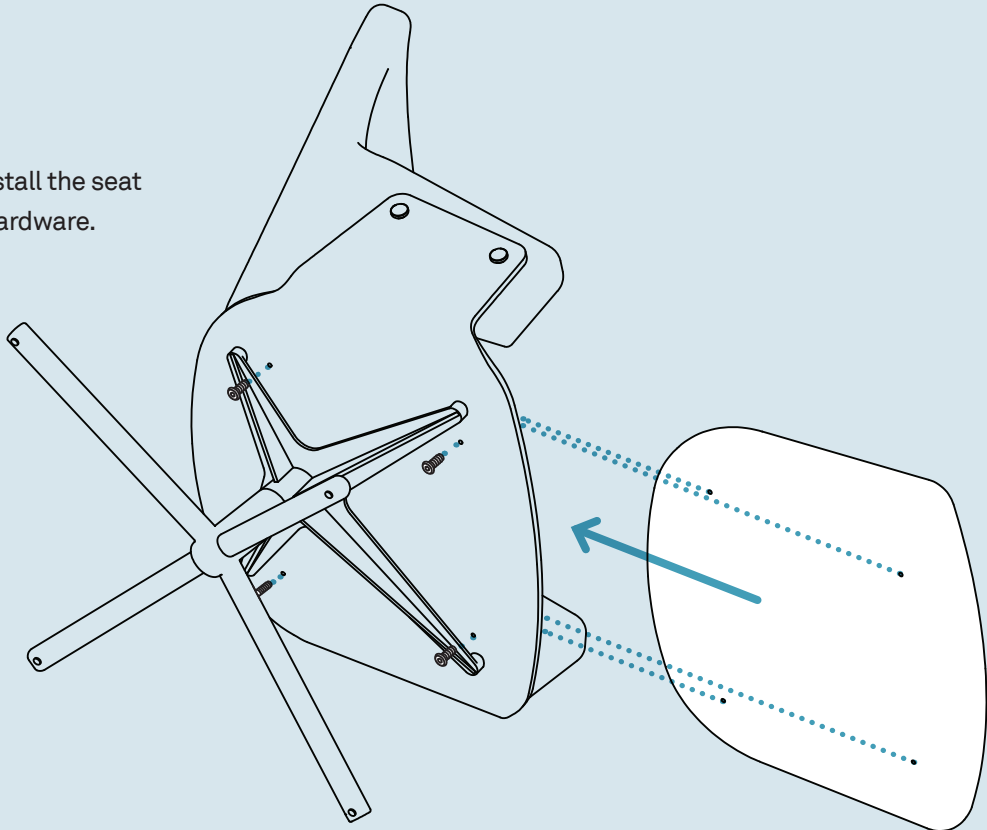
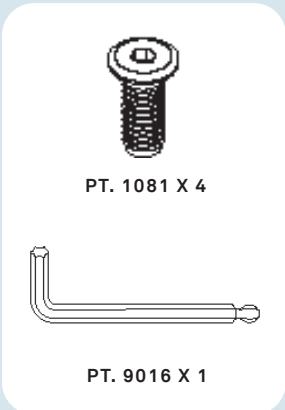
Install base using the provided hardware.



Step 02

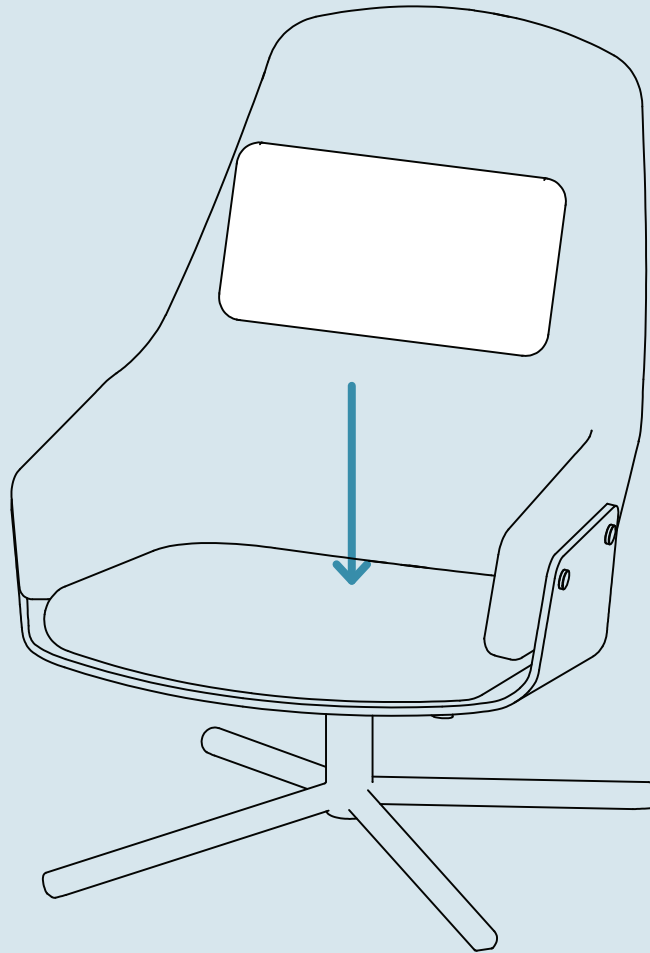
INSTALL THE SEAT CUSHION.

Place chair on its side and install the seat cushion using the provided hardware.



Step 03

PLACE LUMBAR PILLOW.



Additional Information

CLEAN

Vacuum your upholstery regularly. For leather furniture dust regularly with a dry cloth.

SPILLS

Act quickly with spills. Absorb the spill with a clean white cloth or paper towel. Never rub the surface. Do not use water or other liquids to clean, as they may cause stains. Consult a commercial cleaning specialist for removal of stubborn stains.

AVOID

Keep furniture out of direct sunlight and away from heat sources; excessive exposure to sunlight may cause color fading. Avoid placing heavy or sharp objects on the furniture surface for long periods of time; this can cause permanent surface indentations. For snags in the fabric, tuck loose threads into fabric or carefully push to reverse side. Never pull out or cut off loose threads.

